





SLIDE GATE OPENER

REMOTE SLIDING GATE OPERATOR FOR RESIDENTIAL & MODERATE COMMERCIAL USE (AC MOTORS)

SPECIFICATION

- Can be fitted between or behind (or even in front of) the gate posts.
- Suitable for gate upto 30mtr opening. Gate Weight Max. upto 5000kg.
- Environmental protection. working temp -20 to +60 C. rain Proof.
- Standard opening time to 12 feet gate 12 seconds.
- Remote control operating distance 100 to 200 feet.
- The Kit weights upto 28Kg Apx.
- Over-load and Over-heat protecting function.
- The above kit comes with a full warranty of 1 year and free technical help.
- C E Test Passed.



1
YEAR
WARRANTY

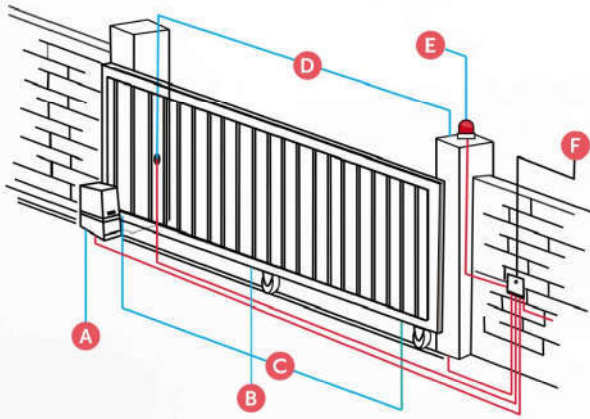
FEATURES:

1. Operates on Remote/switch, It is possible to operate this system with almost any access control system (RFID, Biometric etc)
2. With flashing lamp for notification of gate in operation.
3. Auto closing gate delay time adjustable.
4. Can be operated on UPS/Inverter (Select Model)
5. Photocell - automatic return for resistance during closing gate.
6. Manual opening of the gates in the event of power failure.
7. With new wireless keypad the gate only operates with password set by you(optional).
8. Automatically locks the gate and can only be operated by remote and with key provided for manual operation.
9. Pedestrian open (Select Models).
10. Slow-Start/Stop (on Select Models)



DOORWIN
ENGINEERING

KIT INSTALLATION



- A Sliding Gate Operator
- D Infrared Photocell
- B Galvanized Steel Rack
- E Alarm Lamp
- C Limit Switch
- F Manual Switch

MODELS:

SD1006	SLIDE GATE AC MOTOR IDEAL FOR GATE UPTO 450KG
SD1010	SLIDE GATE AC MOTOR IDEAL FOR GATE UPTO 800KG
SD1015	SLIDE GATE AC MOTOR IDEAL FOR GATE UPTO 1200KG
SD1020	SLIDE GATE AC MOTOR IDEAL FOR GATE UPTO 1600KG
SD1050	SLIDE GATE AC MOTOR IDEAL FOR GATE UPTO 4000KG

OPTIONAL ACCESSORIES



Many More to Choose From..

COMPONENTS DESCRIPTION

TYPE	SD1006	SD1010	SD1015	SD1020	SD1030	SD1050
Power supply	220V, 50Hz	220V, 50Hz	220V, 50Hz	380V, 50Hz	380V, 50Hz	380V, 50Hz
Motor speed	55rpm	50rpm	42rpm	42rpm	52rpm	42rpm
Rated Output power of Motor	200W	350W	500W	750W	1000W	1000W
Remote control operating	30m	30m	30m	30m	30m	30m
Remote control mode	Single button	Single button	Single button	Single button	Single button	Single button
Output shaft height	58.5mm	58.5mm	58.5mm	58.5mm	58.5mm	58.5mm
Max. gate weight	600Kg	1000Kg	1500Kg	2000Kg	3000Kg	5000Kg
Output torque	16N*m	25N*m	32N*m	45N*m	55N*m	85N*m
Limit switch	Spring / Magnetic	Switch / Magnetic	Switch / Magnetic	Switch / Magnetic	Switch / Magnetic	Switch
Noise	<58dB	<58dB	<60dB	<60dB	<60dB	<60dB
Duty cycle	S2, 15 minutes	S2, 15 minutes	S2, 15 minutes	S2, 15 minutes	S2, 15 minutes	S2, 25 minutes
Extra remote control	25	25	25	25	25	25
Environmental temperature	-20°C~+50°C	-20°C~+50°C	-20°C~+50°C	-20°C~+50°C	-20°C~+50°C	-20°C~+50°C
Gate Move speed	13m/min	12m/min	12m/min	12m/min	12m/min	12m/min



230V



ACCESS CONTROL



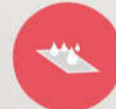
GEARED MOTOR



AUTOMATED LOCK



OVER HEAT PROTECTION



WEATHER PROOF



DOORWIN
ENGINEERING



SLIDE GATE OPENER

REMOTE SLIDING GATE OPERATOR FOR RESIDENTIAL & MODERATE COMMERCIAL USE (DC MOTORS)

SPECIFICATION

- Can be fitted between or behind (or even in front of) the gate posts.
- Suitable for gate upto 30mtr opening. Gate Weight Max. upto 600kg.
- Environmental protection. working temp -20 to +60 C. rain Proof.
- Standard opening time to 12 feet gate 8-20 seconds. - Adjustable
- Remote control operating distance 100 to 200 feet.(depends on site environment)
- The Kit weights upto 30Kg Apx.
- Over-load function
- The above kit comes with a full warranty of 1 year and free technical help.
- C E Test Passed.



FEATURES:

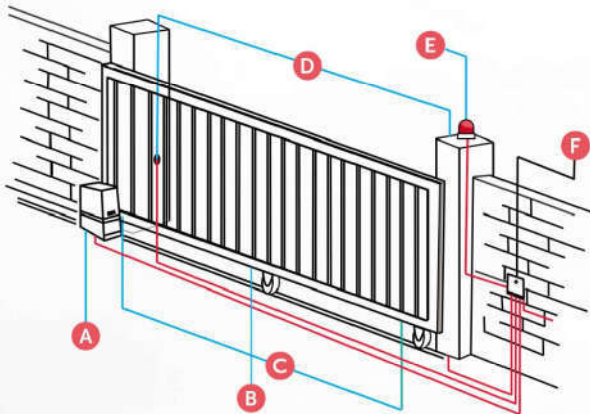
1. Operates on Remote/switch, It is possible to operate this system with almost any access control system (RFID, Biometric etc)
2. With flashing lamp for notification of gate in operation.
3. Auto closing gate delay time adjustable.
4. Has inbuilt battery which give 30-40 operation in case of power failure
5. Photocell - automatic return for resistance during closing gate.
6. It's a DC motor so the motor doesn't get heated even with intensive use
7. With new wireless keypad the gate only operates with password set by you(optional).
8. Automatically locks the gate and can only be operated by remote and with key provided for manual operation.
9. With Variable Speed and force control
10. In-built obstruction detection & Over current Setting
11. Photocell behavior control on obstruction
12. Soft start / Close
13. Pedestrian Mode

1
YEAR
WARRANTY



DOORWIN
ENGINEERING

KIT INSTALLATION



- A** Sliding Gate Operator
- B** Galvanized Steel Rack
- C** Limit Switch
- D** Infrared Photocell
- E** Alarm Lamp
- F** Manual Switch

MODELS:

SDC 500

SLIDE GATE AC MOTOR IDEAL FOR GATE UPTO 450KG

SDC 800

SLIDE GATE AC MOTOR IDEAL FOR GATE UPTO 700KG

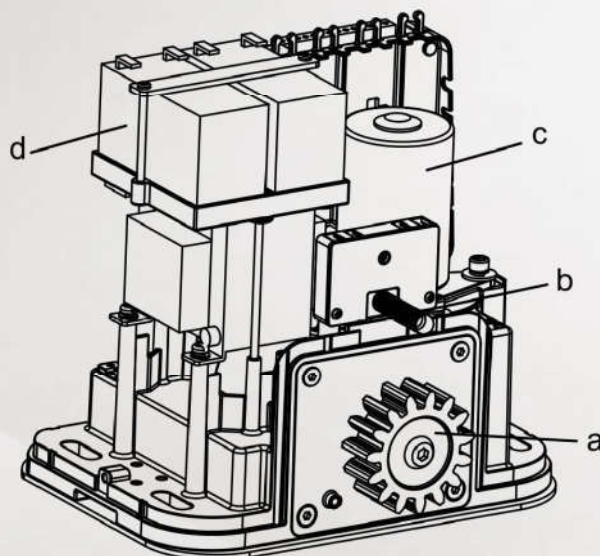
OPTIONAL ACCESSORIES



Many More to Choose From..

COMPONENTS DESCRIPTION

TYPE	SDC 800	SDC 500
Power supply	24 V DC motor	24 V DC motor
RPM	3400	3000
Current Draw	5 AMP Max 72 W	5 AMP Max 52 W
Remote control operating	30m	30m
Remote control mode	Single button	Single button
Lubrication Type	Grease	Grease
Max. gate weight	700Kg	450Kg
Output torque	16N*m	16N*m
Limit switch	Spring / Magnetic	Spring / Magnetic
Noise	<38dB	<36dB
Duty cycle	S2, 45 minutes	S2, 45 minutes
Extra remote control	25	25
Environmental temperature	-20°C~+50°C	-20°C~+50°C
Gate Move speed	15m/min	15m/min



- a. Operation gear
- b. Limit switch device
- c. 24Vdc motor
- d. Back-up batteries
- e. Release device
- f. Control panel
- g. Terminals of devices

*color/design may differ



24V power supply for great safety



Solid material apply with lasting usage



Manual release device with easy use and highly protection



Worm gear application give silence operation



Easy installation and user friendly interface





SWING GATE OPENER

REMOTE SWING GATE OPERATOR FOR RESIDENTIAL & MODERATE COMMERCIAL USE (ARM / ACTUATOR TYPE)

SPECIFICATION

- Suitable for gate upto 7mtr opening. Gate Weight Max. 600kg (Both Leaf)
- Environmental protection. working temp -20° to +60°. Rain Proof
- Standard opening time to 12 feet gate 12 to 15 seconds.
- Remote control operating distance 100 to 200 feet. (Depending on line of site)
- The Kit weights 18Kg Apx.
- Over-load and overheat protecting function.
- Backup Battery with Auto charging.
- The above kit comes with a full 1 year Warranty and free technical help. CE tests passed

FEATURES:

1. Open and close single or both the gate by remote control.
2. With Warning light for gate operation notification
3. Can be integrated with most of access control system (RFID, Biometric etc)
4. Can be paired with upto 100 remote to operate the swing gate operator
5. Safely 12volts DC motors eliminating the dangers of electric shock hazard.
6. Overload sensor provide instant stop upon contact with obstacle.
7. Rechargeable back-up battery for 42 hours or 30- cycles when power failure.
8. Remote control transmitter and receiver with code encryption technology.
9. Soft start and stop.
10. The Swing arms are installed above the ground, eliminating common problems of water getting into the motors like underground motors have.
11. It provides multiple mounting choices (swing in/out)
12. Weather resistant housing (IP 54 Protection)

1
YEAR
WARRANTY



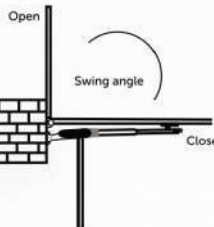
DE
DOORWIN
ENGINEERING

sales@doorwinengineering.com

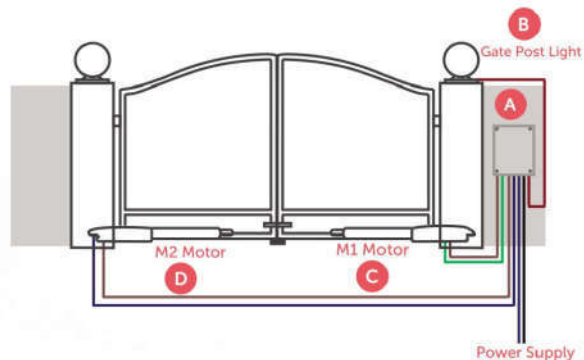
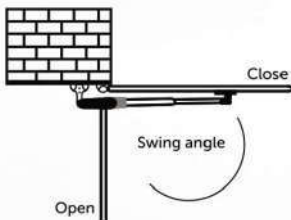
www.doorwinengineering.in

KIT INSTALLATION

Swing Direction(open out)

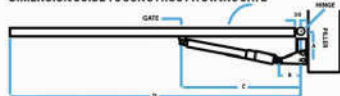


Swing Direction(open in)



- A** Control Box
- B** Post Light Control
- C** M1 Motor
- D** M2 Motor

DIMENSION GUIDE TO CONSTRUCT A SWING GATE



- 1** 165mm ~ 180mm
- 2** 128mm ~ 140mm
- 3** 816mm ~ 837mm
- 4** min 1000mm

KIT WILL INCLUDE

- 2 Nos Swing arm motor
- 2 Nos Remote
- 1 Nos Control box
- 1 Nos Warning Lamp
- 1 Backup Battery (in select models)

OPTIONAL ACCESSORIES

<p>BLUETOOTH WIFI</p>	<p>VIDEO DOOR PHONE</p>
<p>HINGES & FOLDING HINGES</p>	<p>RFID CARD READER</p>
<p>GSM</p>	<p>DIGITAL WIRELESS LOCK</p>

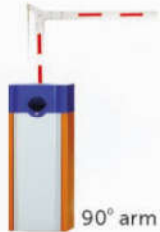
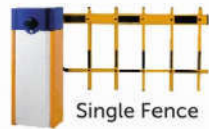
Many More to Choose From..

TECHNICAL DETAILS

TECHNICAL DATA	SS2003	SS2005	SS2007	SS2009
Driving Method	Electro-Mechanical	Electro-Mechanical	Electro-Mechanical	Electro-Mechanical
Operating Voltage	DC 18 V	DC 18 V	DC 24 V	DC 24 V
Motor Output	12 W	18 W	30 W	30 W
Piston Displace	30 cm	32 cm	35 cm	35 cm
Piston Speed	2.9 cm/sec	2.9 cm/sec	2.9 cm/sec	2.9 cm/sec
Opening Speed	90 deg (10-12 sec)	90 deg (10-12 sec)	90 deg (10-12 sec)	90 deg (10-12 sec)
Back-up Battery	12Volt 7 AH	12Volt 7 AH	NA	NA
Safety Clutch	HI-AMP Auto-Stop	HI-AMP Auto-Stop	HI-AMP Auto-Stop	HI-AMP Auto-Stop
Safety Barrier	Infrared Beam Sensor	Infrared Beam Sensor	Infrared Beam Sensor	Infrared Beam Sensor
Electric Controlle	Micro-Processor based	Micro-Processor based	Micro-Processor based	Micro-Processor based
Temperature	0 to 55°C	0 to 80°C	0 to 60°C	0 to 60°C
Gear Box	Three Stages Planetary Reducer	Three Stages Planetary Reducer	Three Stages Planetary Reducer	Three Stages Planetary Reducer
Manual Operation	Special Release Key	Special Release Key	Special Release Key	Special Release Key
Max. wrt of gate	150 kg per-wing	250 kg per-wing	350 kg per-wing	450 kg per-wing
Max length of gate	3 meters per wing	4 meters per wing	5 meters per wing	6 meters per wing



KIT INSTALLATION



OPTIONAL ACCESSORIES

<p>BLUETOOTH WIFI</p>	<p>SOFTWARE</p>
<p>LOOP DETECTOR</p>	<p>RFID CARD READER</p>
<p>RFID READER</p>	<p>DIGITAL WIRELESS LOCK</p>

Many More to Choose From..

TECHNICAL DETAILS

Technical Data	BN1006	BE1008	BE1008(Fence)
Opening Time	3 to 6 Sec	1.5 to 6 Sec	1.5 to 6 Sec
Boom type	Straight	Straight, 90Degree folding	Straight, 90Degree folding
Max Boom Length	6 Meter (Telescopic)	6 Meter (Telescopic)	4.5 Meter (Fence)
Voltage	220 V	220 V	220 V
Motor Power	120 W	80 W	80 W
Working Temperature	-35 degree to 75 degree	-35 degree to 75 degree	-35 degree to 75 degree
Protection Grade	Ip44	Ip54	Ip54
Remote Control Distance	Up to 30M	Up to 30M	Up to 30M
Barrier Dimension	934 x 280 x 325 (mm)	934 x 280 x 325 (mm)	934 x 280 x 325 (mm)
Barrier Weight	55 kg (Except Boom)	65 kg (Except Boom)	65 kg (Except Boom)
Motor Type	Compact Motor	Die-Casting Aluminum Alloy Motor	Die-Casting Aluminum Alloy Motor
Interface For Photocell	Yes	Yes	Yes
Interface for Loop Detctor	Yes	Yes	Yes
Interface	RS485	RS485	RS485



230V



ACCESS CONTROL



AUTO REVERSE



MANUAL OPERATION



OVER HEAT PROTECTION



WEATHER PROOF



DOORWIN
ENGINEERING



AUTO DOOR OPENER

SLIDING GLASS DOOR OPENER FOR RESIDENTIAL & COMMERCIAL USE MODEL: SGD 304

SPECIFICATION

- Suitable for door upto 4mtr opening, door Weight Max. 200kg (Both Leaf)
- Environmental protection, working temp -20° to +50° Rain Proof
- Standard opening time to 3-8 seconds.
- Remote control operating distance 100 to 200 feet. (Depending on line of site)
- The Kit weights 16Kg Apx.
- Over-load and overheat protecting function.
- The above kit comes with a full 1 year Warranty and free technical help. CE tests passed

FEATURES:

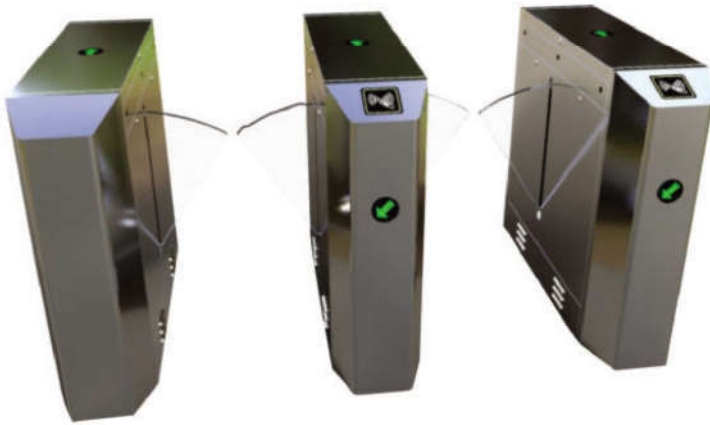
1. Open and close single or both the door.
2. Sequence of adjustment
3. Can be integrated with most of access control system (RFID, Biometric etc)
4. Can be paired with upto 100 remote
5. Safely 12volts DC motors eliminating the dangers of electric shock hazard.
6. Overload sensor provide instant stop upon contact with obstacle.
7. Starting opening force adjustment
8. Open speed adjustment
9. Soft start and stop.
10. Open buffer distance adjustment when open

1
YEAR
WARRANTY



DE
DOORWIN
ENGINEERING

Other Product's



Automatic Flap Barrier



Turnstile



Automatic Table Lifting



Automatic TV Lifting



Sliding Wheel



Guide Roller



Telescopic Mechanism



Swing Hinges



Folding Wheel



Bifold Hinges



230V



ACCESS CONTROL



AUTO REVERSE



MANUAL OPERATION



OVER HEAT PROTECTION



WEATHER PROOF



Thanks for Your Support



LAKMÉ





10+
Years of
experience

25+
Manpower

100+
Doors / month
Capacity

1000+
Satisfied
Client